

**6.002**

**CIRCUITS AND  
ELECTRONICS**

# Dependent Sources and Amplifiers

Cite as: Anant Agarwal and Jeffrey Lang, course materials for 6.002 Circuits and Electronics, Spring 2007. MIT OpenCourseWare (<http://ocw.mit.edu/>), Massachusetts Institute of Technology. Downloaded on [DD Month YYYY].

6.002- Fall 2002: Lecture 8

# Review

- Nonlinear circuits — can use the node method
- Small signal trick resulted in linear response

## Today

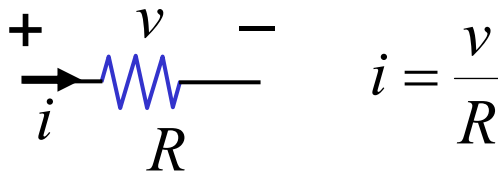
- Dependent sources
- Amplifiers

**Reading:** Chapter 7.1, 7.2

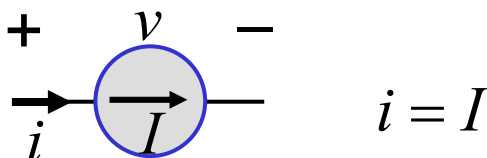
# Dependent sources

Seen previously

Resistor

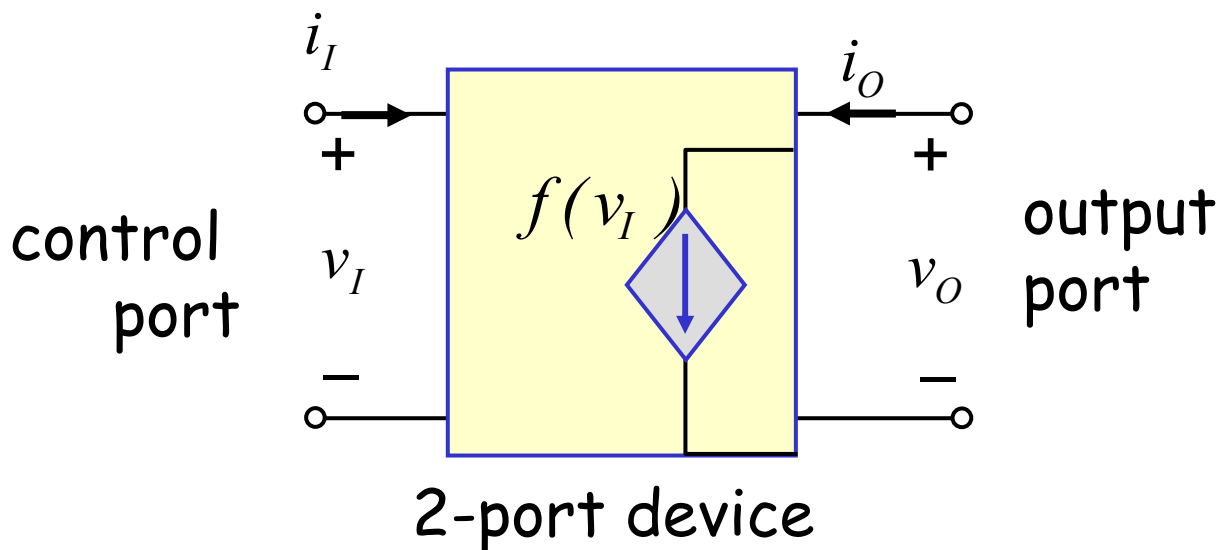


Independent  
Current source



2-terminal 1-port devices

New type of device: Dependent source

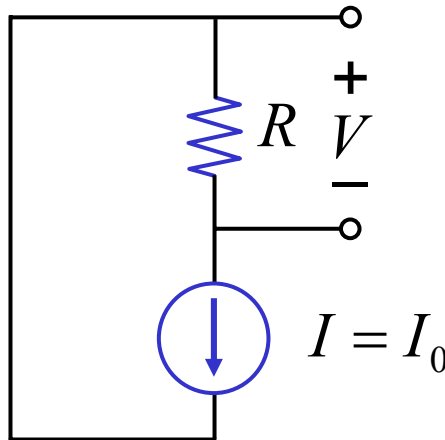


E.g., Voltage Controlled Current Source  
Current at output port is a function of voltage  
at the input port

# Dependent Sources: Examples

## Example 1: Find $V$

independent  
current  
source

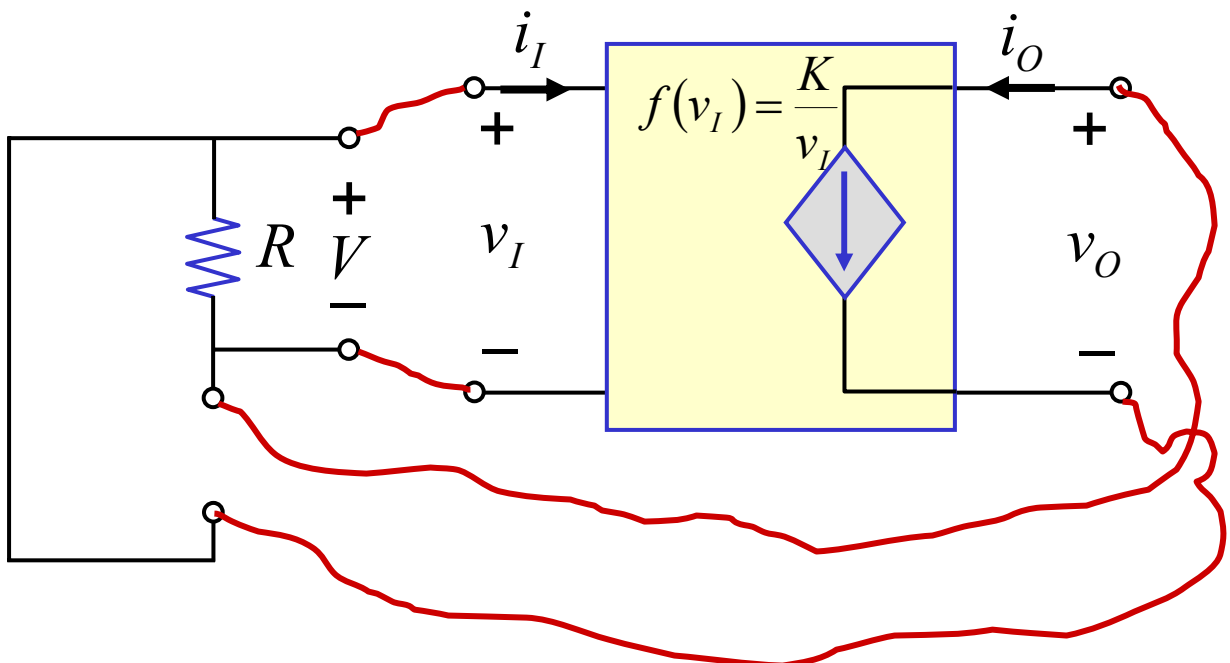
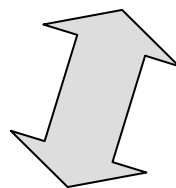
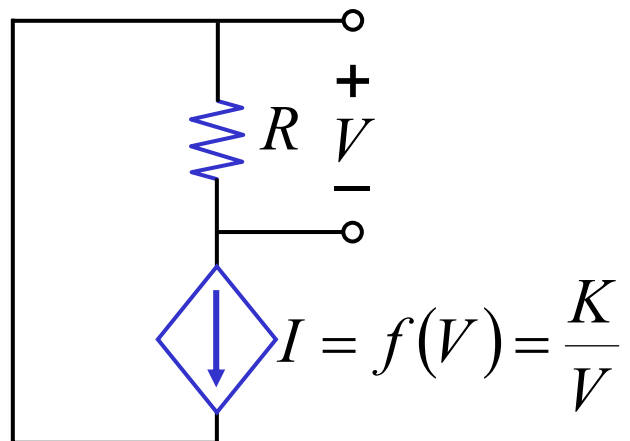


$$V = I_0 R$$

# Dependent Sources: Examples

## Example 2: Find $V$

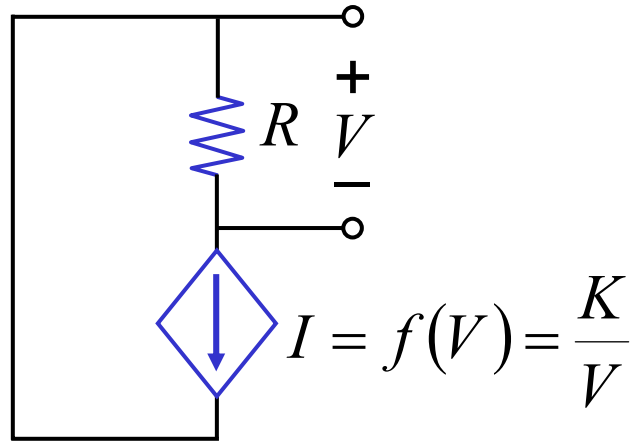
voltage  
controlled  
current  
source



# Dependent Sources: Examples

Example 2: Find  $V$

voltage  
controlled  
current  
source



e.g.  $K = 10^{-3} \text{ Amp}\cdot\text{Volt}$   
 $R = 1\text{k}\Omega$

$$V = IR = \frac{K}{V} R$$

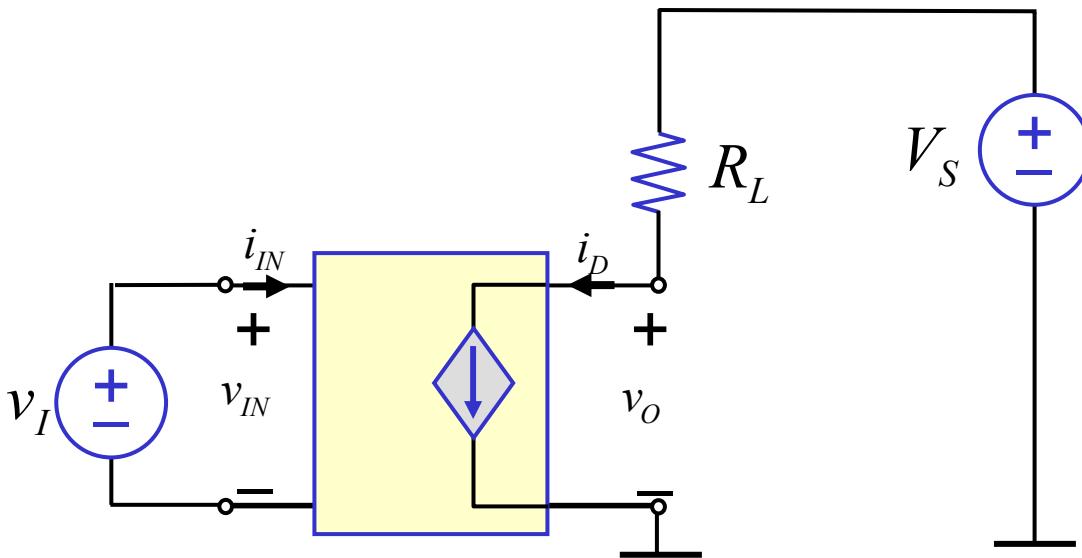
or  $V^2 = KR$

or  $V = \sqrt{KR}$

$$= \sqrt{10^{-3} \cdot 10^3}$$

$$= 1 \text{ Volt}$$

# Another dependent source example



$$i_D = f(v_{IN})$$

e.g.

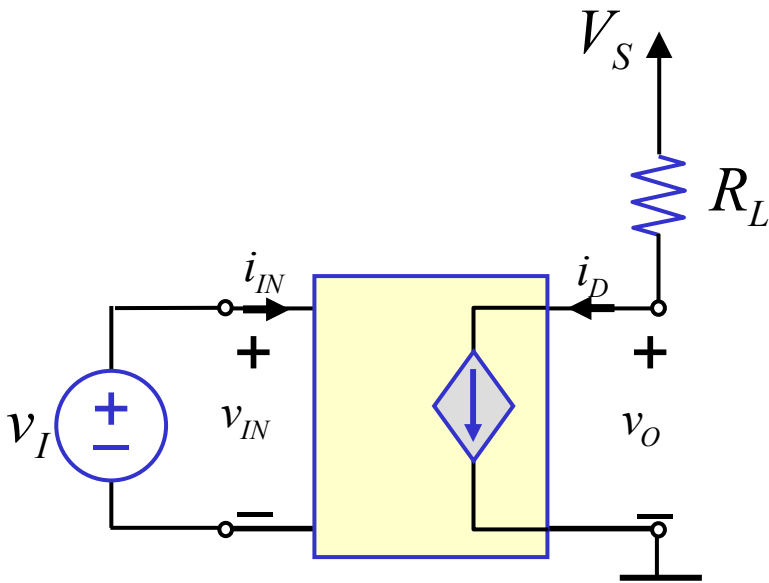
$$i_D = f(v_{IN})$$

$$= \frac{K}{2} (v_{IN} - 1)^2 \quad \text{for } v_{IN} \geq 1$$

$$i_D = 0 \quad \text{otherwise}$$

Find  $v_O$  as a function of  $v_I$ .

# Another dependent source example



$$i_D = f(v_{IN})$$

e.g.  $i_D = f(v_{IN})$

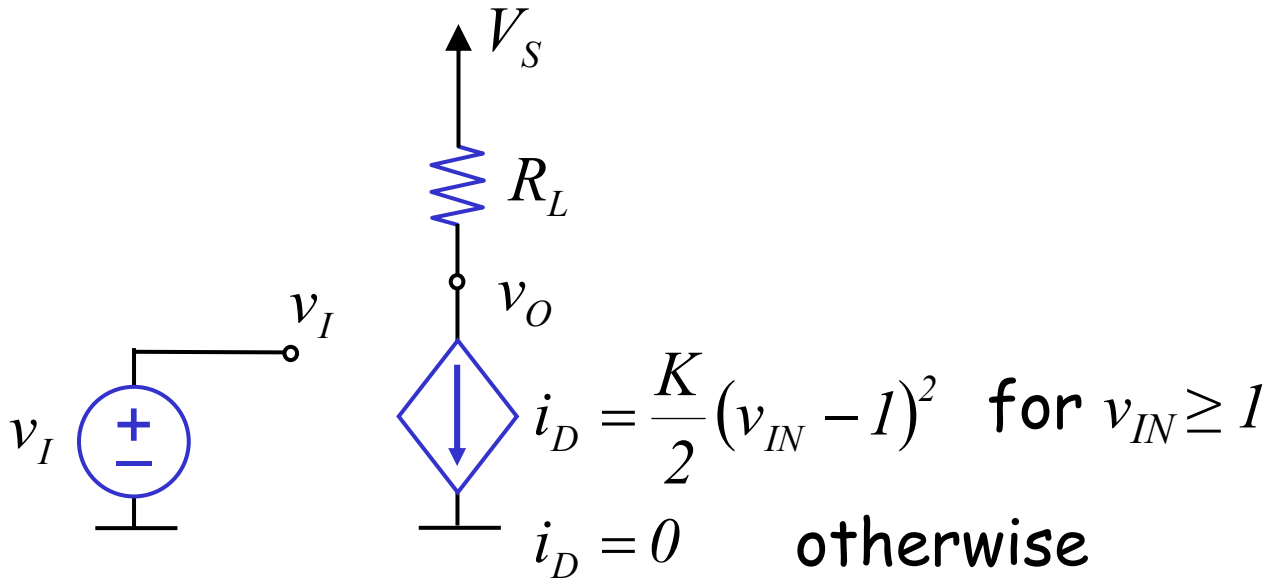
$$= \frac{K}{2} (v_{IN} - 1)^2 \quad \text{for } v_{IN} \geq 1$$

$$i_D = 0 \quad \text{otherwise}$$

Find  $v_O$  as a function of  $v_I$ .

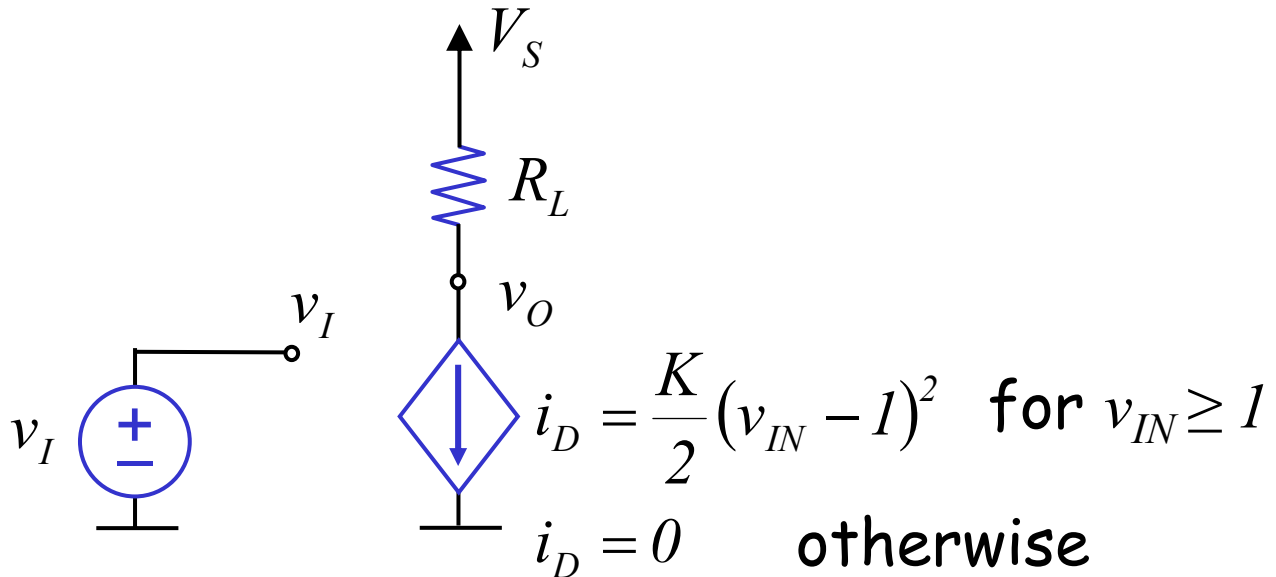


# Another dependent source example



Find  $v_O$  as a function of  $v_I$ .

# Another dependent source example



KVL

$$-V_S + i_D R_L + v_O = 0$$

$$v_O = V_S - i_D R_L$$



$$v_O = V_S - \frac{K}{2}(v_I - 1)^2 R_L \quad \text{for } v_I \geq 1$$

$$v_O = V_S \quad \text{for } v_I < 1$$

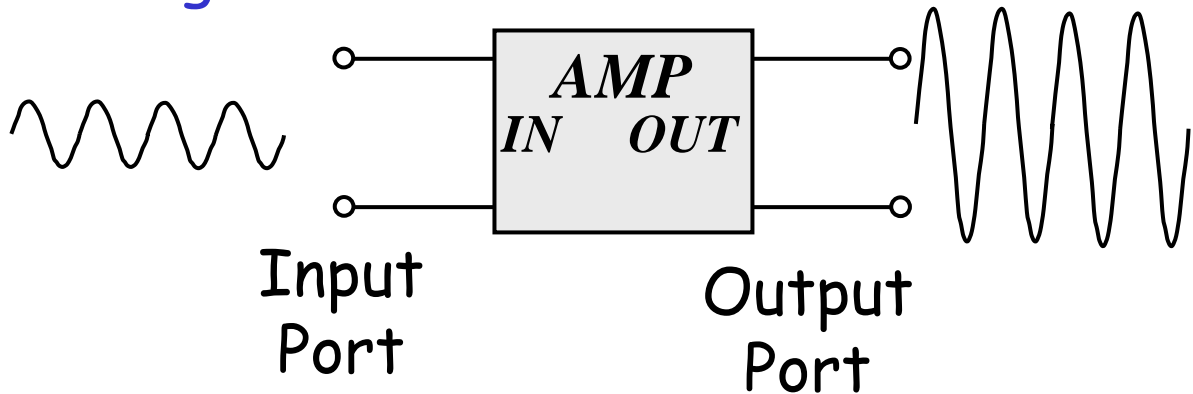
Hold that thought

# Next, Amplifiers

# Why amplify?

Signal amplification key to both analog and digital processing.

Analog:

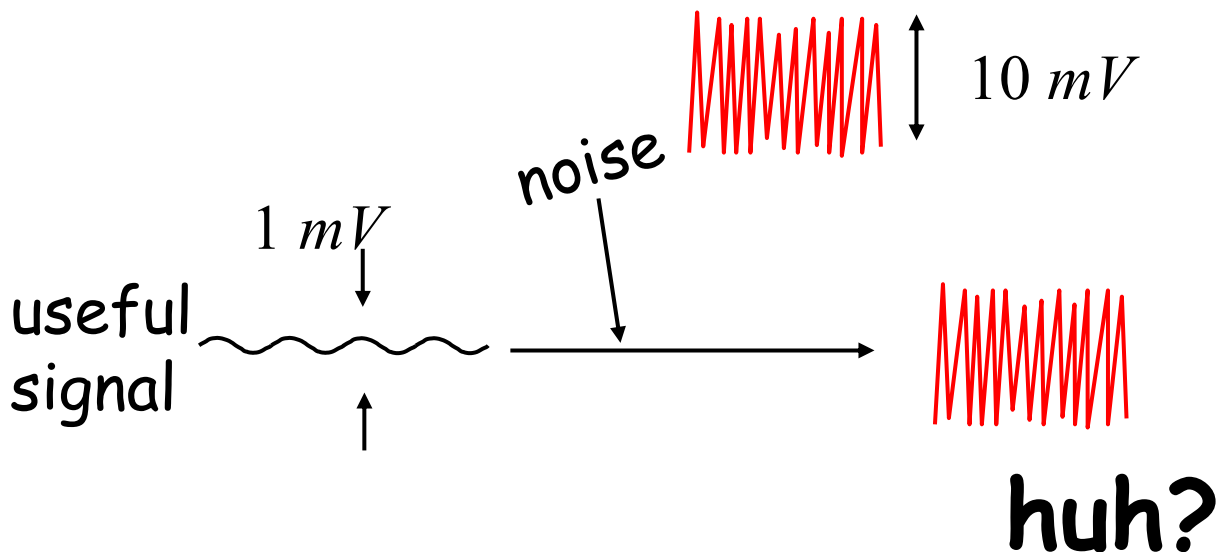


Besides the obvious advantages of being heard farther away, amplification is key to noise tolerance during communication

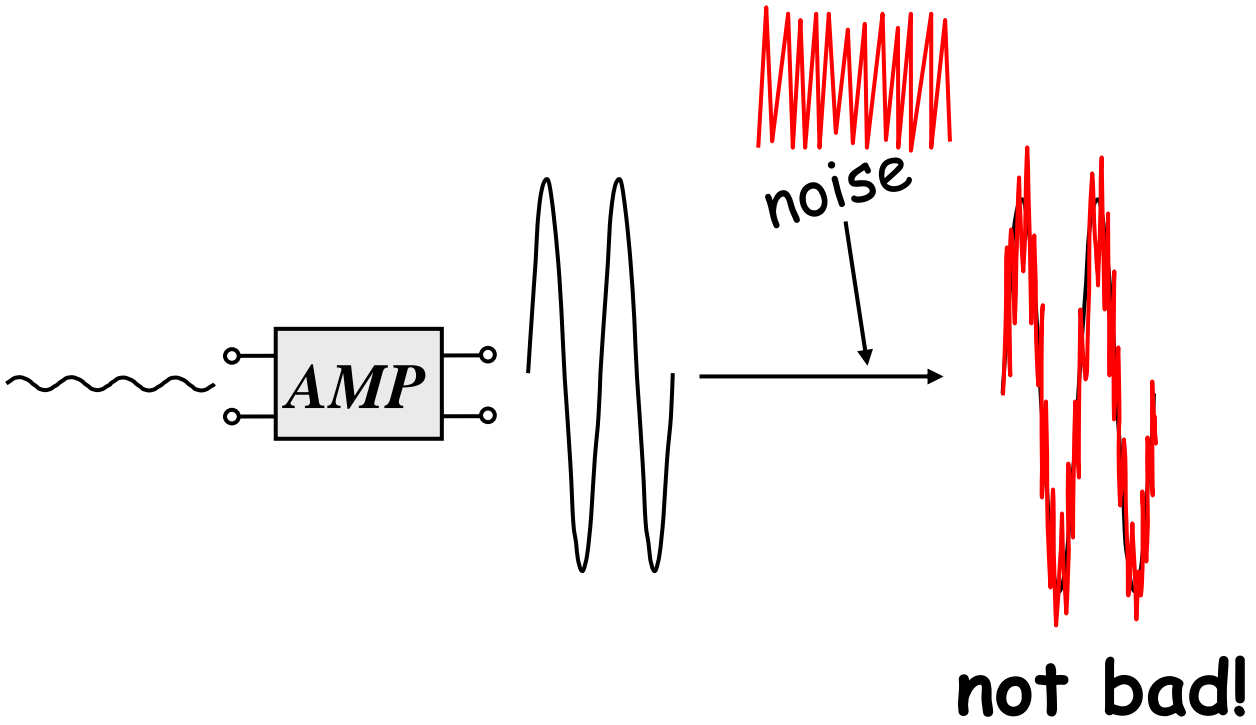
# Why amplify?

Amplification is key to noise tolerance during communication

No amplification

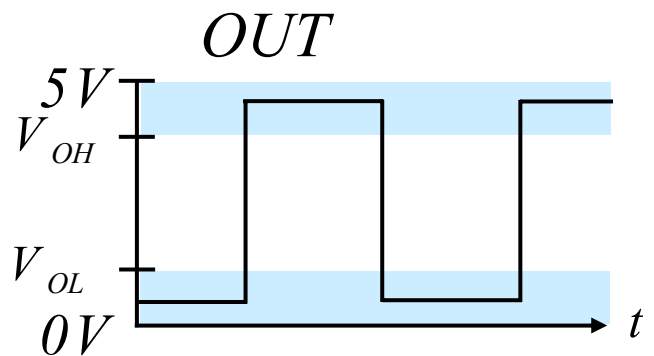
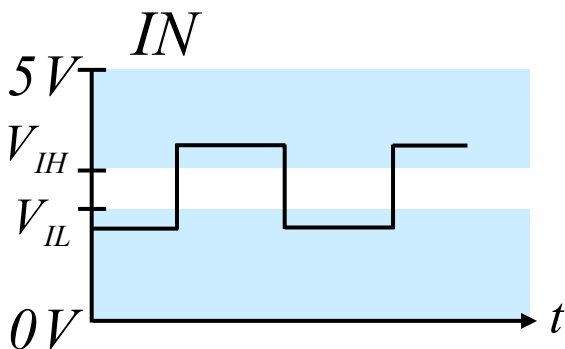
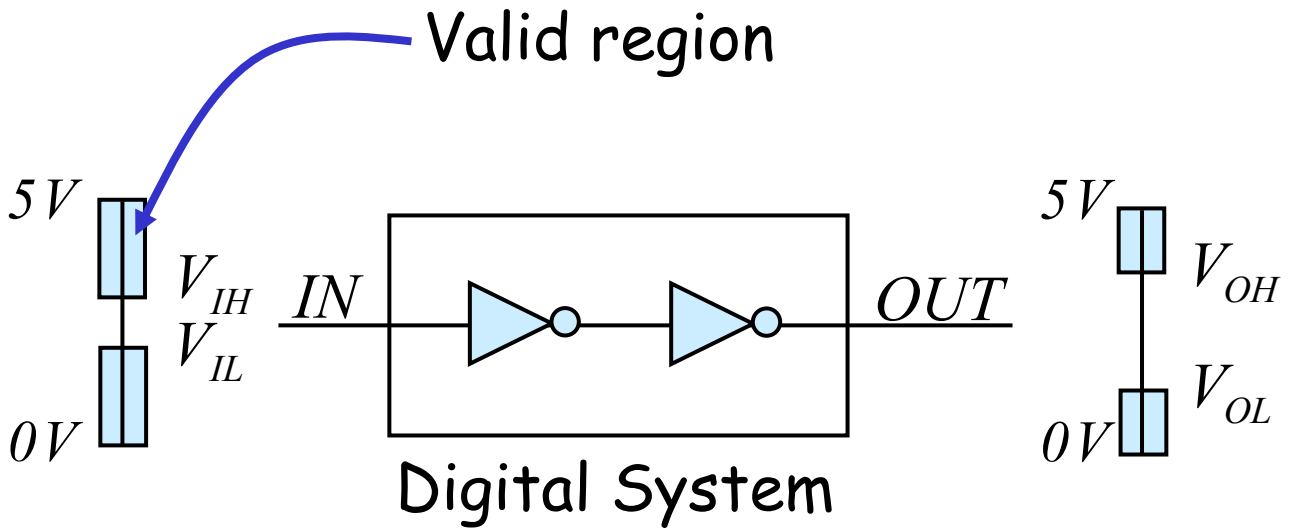


# Try amplification



# Why amplify?

Digital:

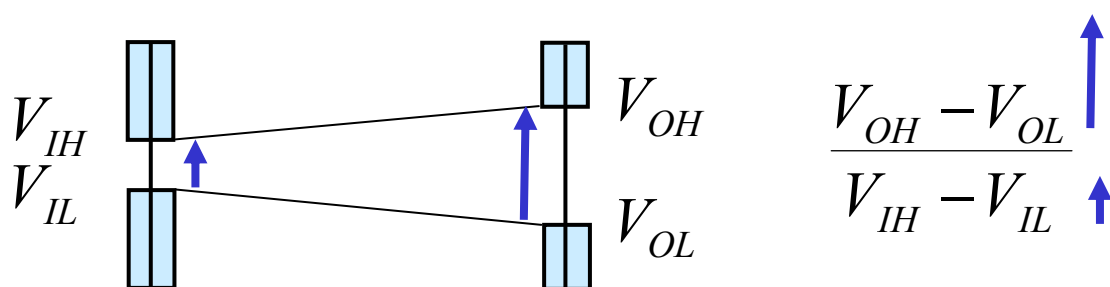


# Why amplify?

Digital:

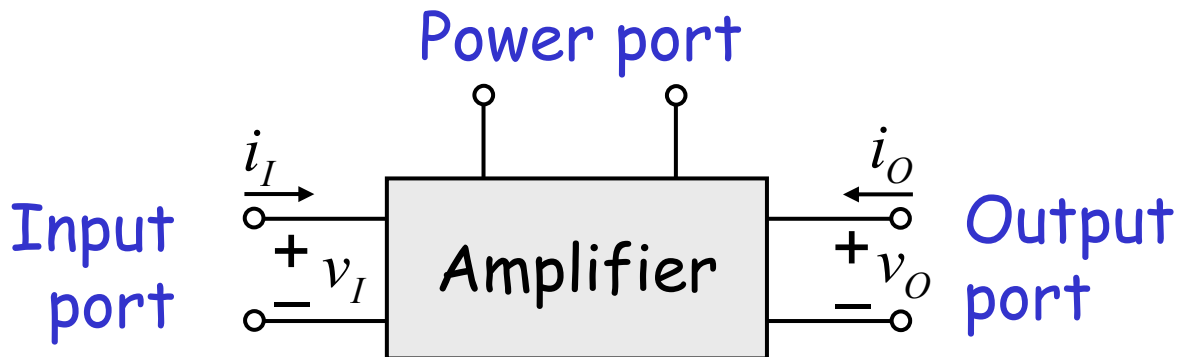
Static discipline requires amplification!

Minimum amplification needed:





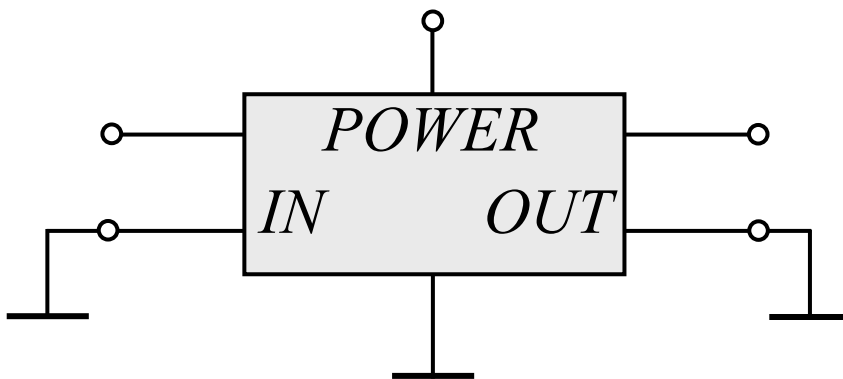
An amplifier is a 3-ported device, actually



We often don't show the power port.

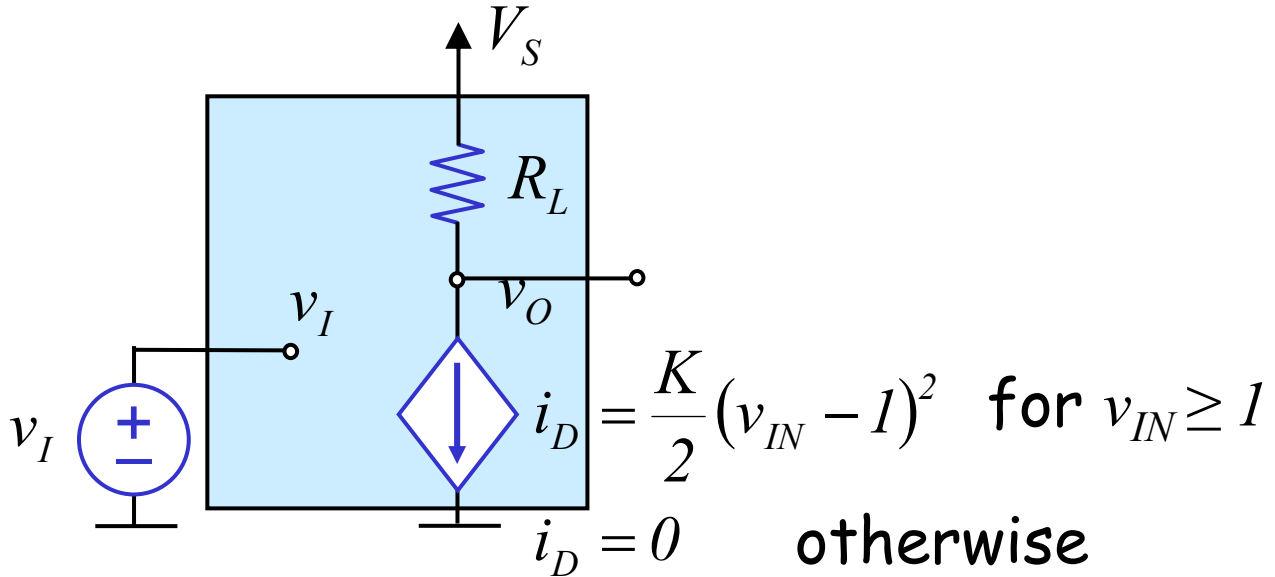
Also, for convenience we commonly observe "the common ground discipline."

In other words, all ports often share a common reference point called "ground."



How do we build one?

# Remember?



## KVL

$$-V_S + i_D R_L + v_O = 0$$

$$v_O = V_S - i_D R_L$$



$$v_O = V_S - \frac{K}{2} (v_I - 1)^2 R_L \quad \text{for } v_I \geq 1$$

$$v_O = V_S \quad \text{for } v_I < 1$$

**Claim: This is an amplifier**

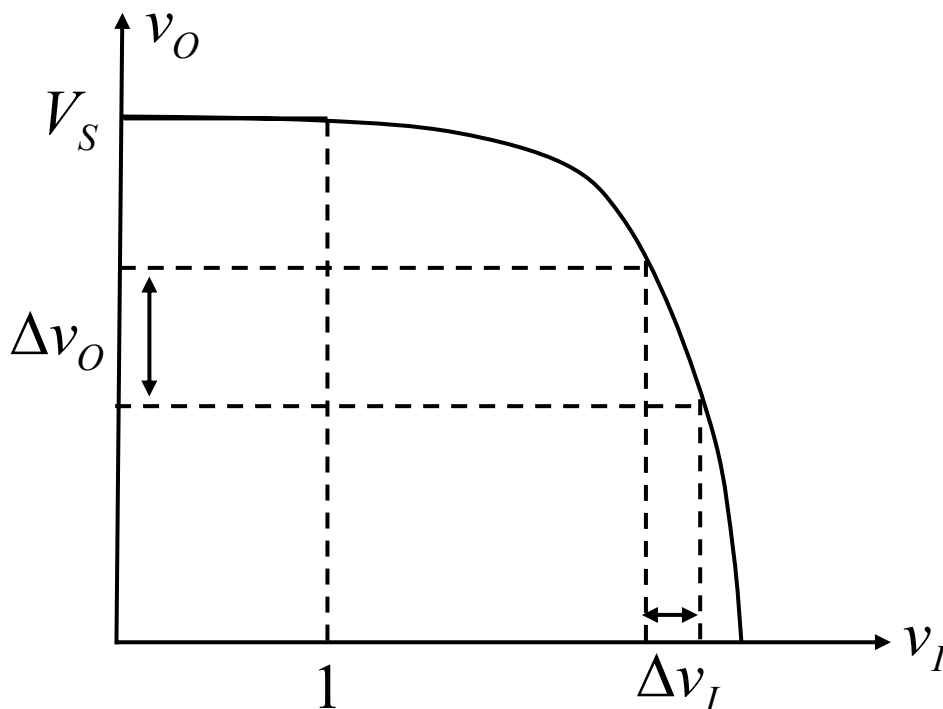
# So, where's the amplification?

Let's look at the  $v_O$  versus  $v_I$  curve.

e.g.  $V_S = 10V$ ,  $K = 2 \frac{mA}{V^2}$ ,  $R_L = 5k\Omega$

$$v_O = V_S - \frac{K}{2} R_L (v_I - 1)^2$$
$$= 10 - \frac{2}{2} \cdot 10^{-3} \cdot 5 \cdot 10^3 (v_I - 1)^2$$

$$v_O = 10 - 5 (v_I - 1)^2$$



$$\frac{\Delta v_O}{\Delta v_I} > 1 \longrightarrow \text{amplification}$$

# Plot $v_O$ versus $v_I$

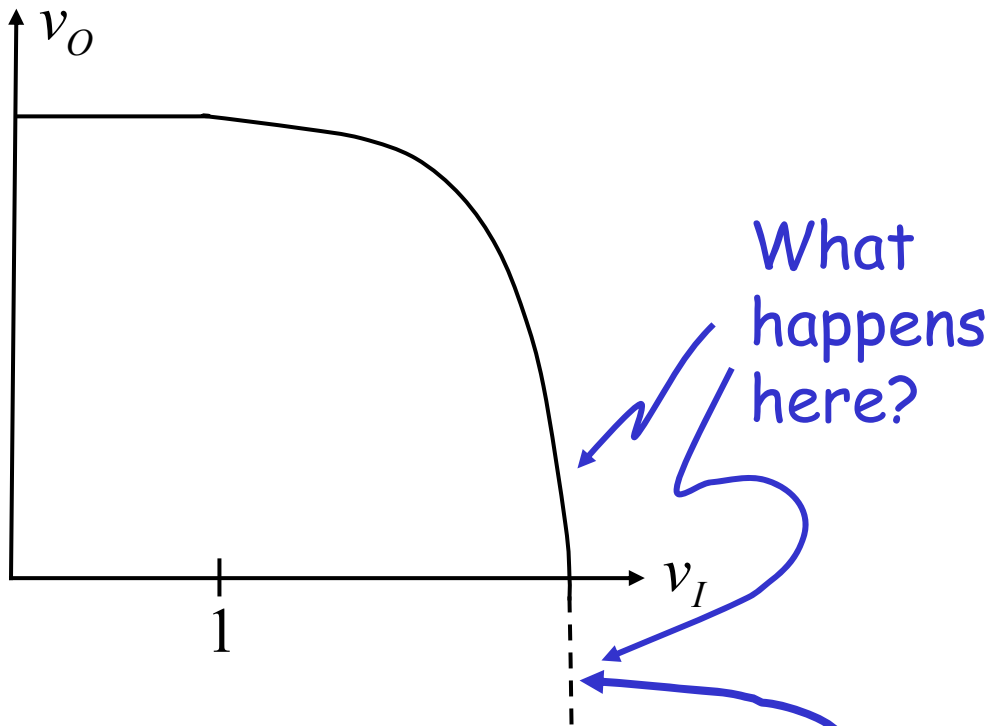
$$v_O = 10 - 5(v_I - 1)^2$$

	$v_I$	$v_O$	
	0.0	10.00	
	1.0	10.00	
	1.5	8.75	
0.1 change	2.0	5.00	1V change
in $v_I$	2.1	4.00	in $v_O$
	2.2	2.80	
	2.3	1.50	
	2.4	$\sim 0.00$	Gain!



Measure  $v_O$ .

# One nit ...

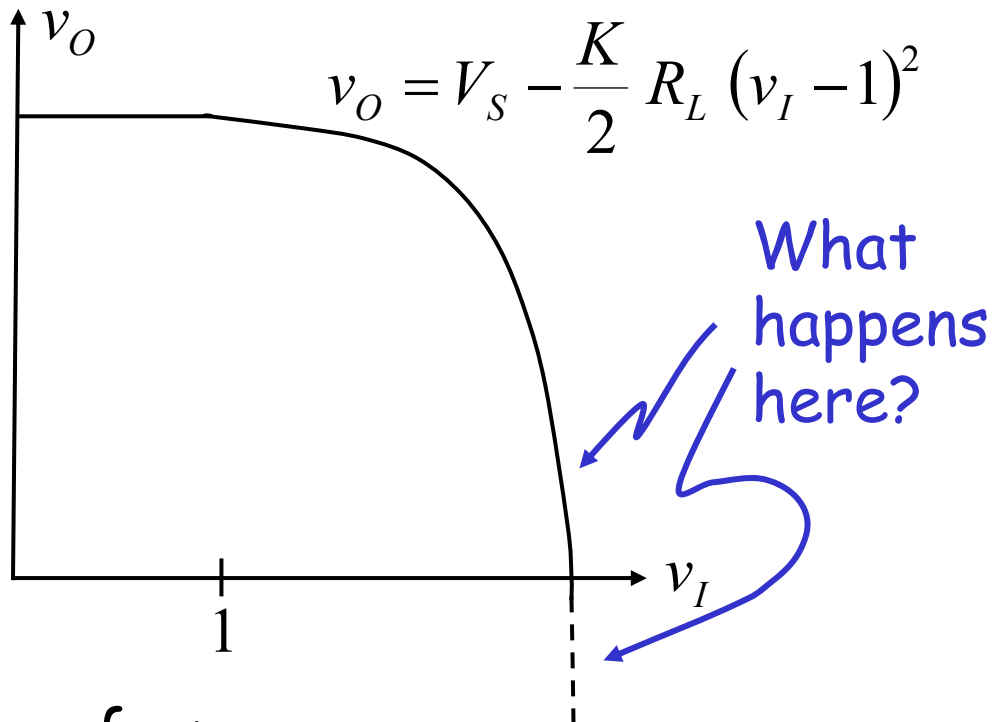


Mathematically,

$$v_O = V_S - \frac{K}{2} R_L (v_I - 1)^2$$

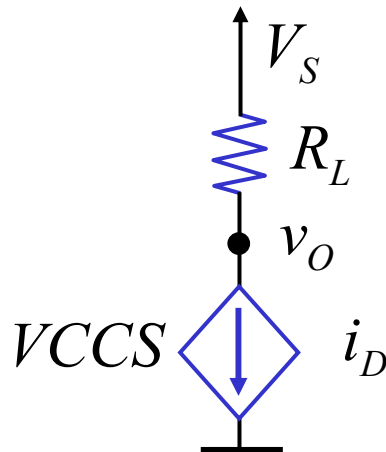
So is mathematically predicted behavior

# One nit ...



However, from

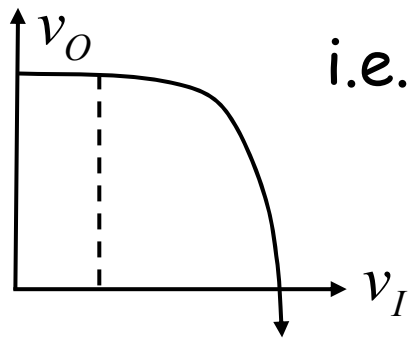
$$i_D = \frac{K}{2} (v_I - 1)^2 \quad \text{for } v_I \geq 1$$



For  $v_O > 0$ ,  $VCCS$  consumes power:  $v_O i_D$

For  $v_O < 0$ ,  $VCCS$  must supply power!

If VCCS is a device that can source power, then the mathematically predicted behavior will be observed —



i.e. 
$$v_O = V_S - \frac{K}{2} R_L (v_I - 1)^2$$

where  $v_O$  goes -ve

If VCCS is a passive device,  
then it cannot source power,  
so  $v_O$  cannot go *-ve*.  
So, something must give!

Turns out, our model breaks down.

Commonly 
$$i_D = \frac{K}{2} (v_I - 1)^2$$

will no longer be valid when  $v_O \leq 0$ .

e.g.  $i_D$  saturates (stops increasing)

and we observe:

