

6.002

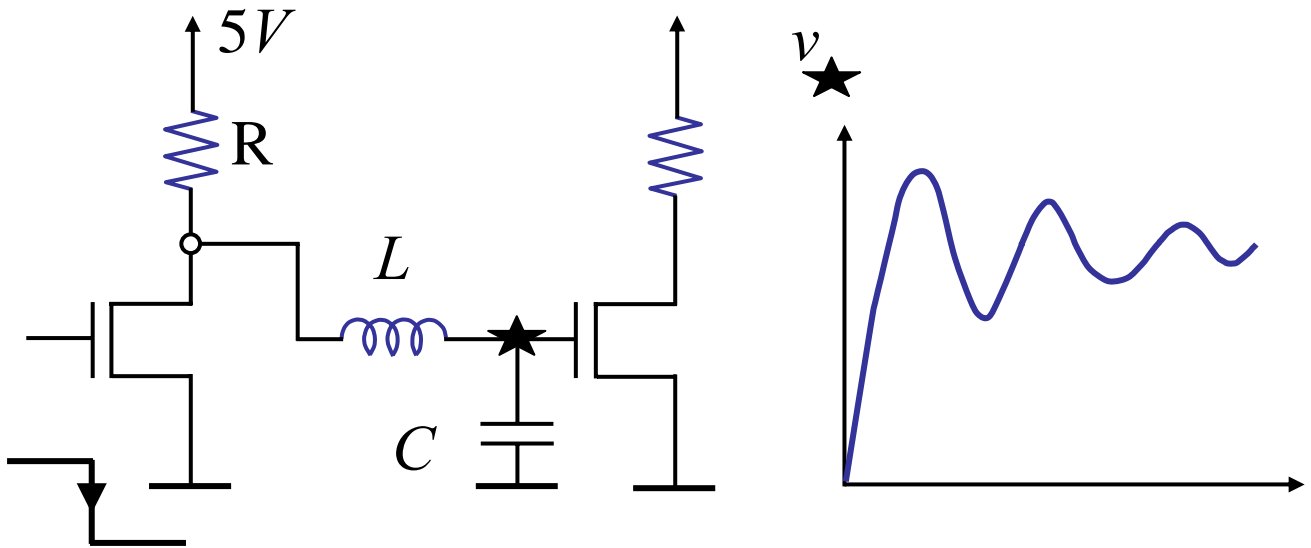
**CIRCUITS AND
ELECTRONICS**

Sinusoidal Steady State

Cite as: Anant Agarwal and Jeffrey Lang, course materials for 6.002 Circuits and Electronics, Spring 2007. MIT OpenCourseWare (<http://ocw.mit.edu/>), Massachusetts Institute of Technology. Downloaded on [DD Month YYYY].

Review

- We now understand the why of:

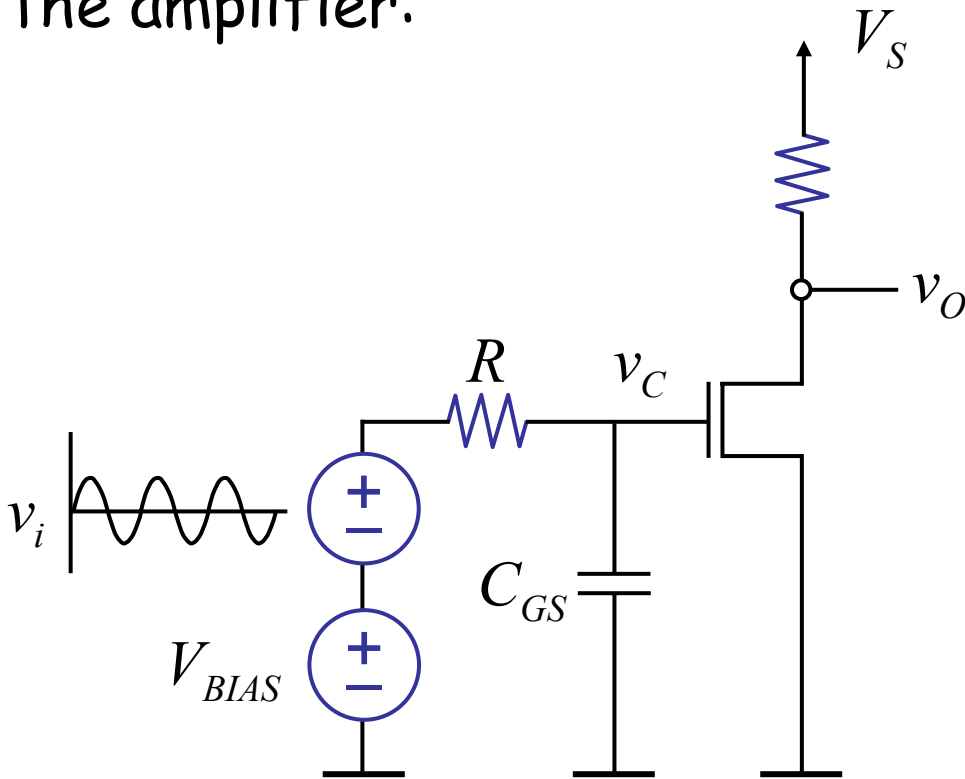


- Today, look at response of networks to sinusoidal drive.

Sinusoids important because signals can be represented as a sum of sinusoids. Response to sinusoids of various frequencies -- aka frequency response -- tells us a lot about the system

Motivation

For motivation, consider our old friend, the amplifier:



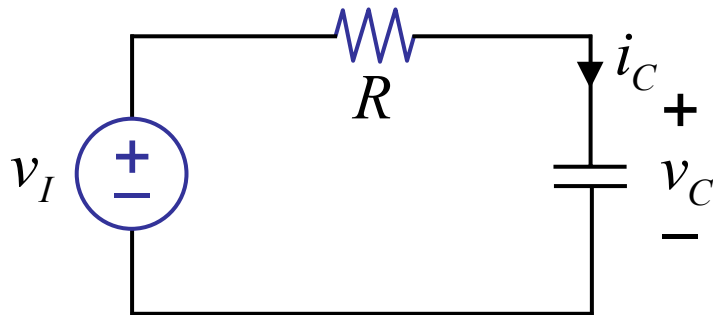
Observe v_o amplitude as the frequency of the input v_i changes. Notice it decreases with frequency.

Also observe v_o shift as frequency changes (phase).

Need to study behavior of networks for sinusoidal drive.

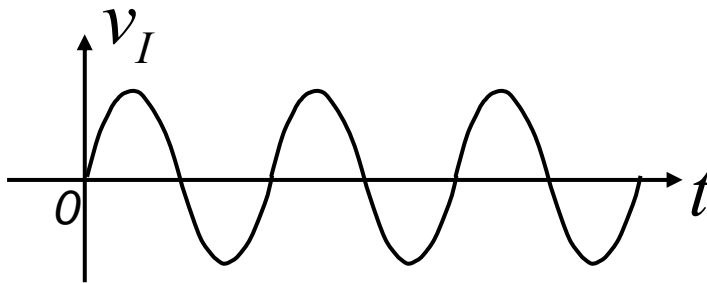
Sinusoidal Response of RC Network

Example:



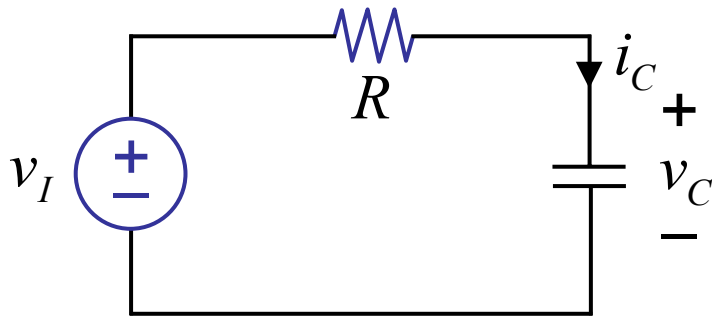
$$v_I(t) = \begin{cases} V_i \cos \omega t & \text{for } t \geq 0 \\ = 0 & \text{for } t < 0 \end{cases} \quad (V_i \text{ real})$$

$$v_C(0) = 0 \quad \text{for } t = 0$$

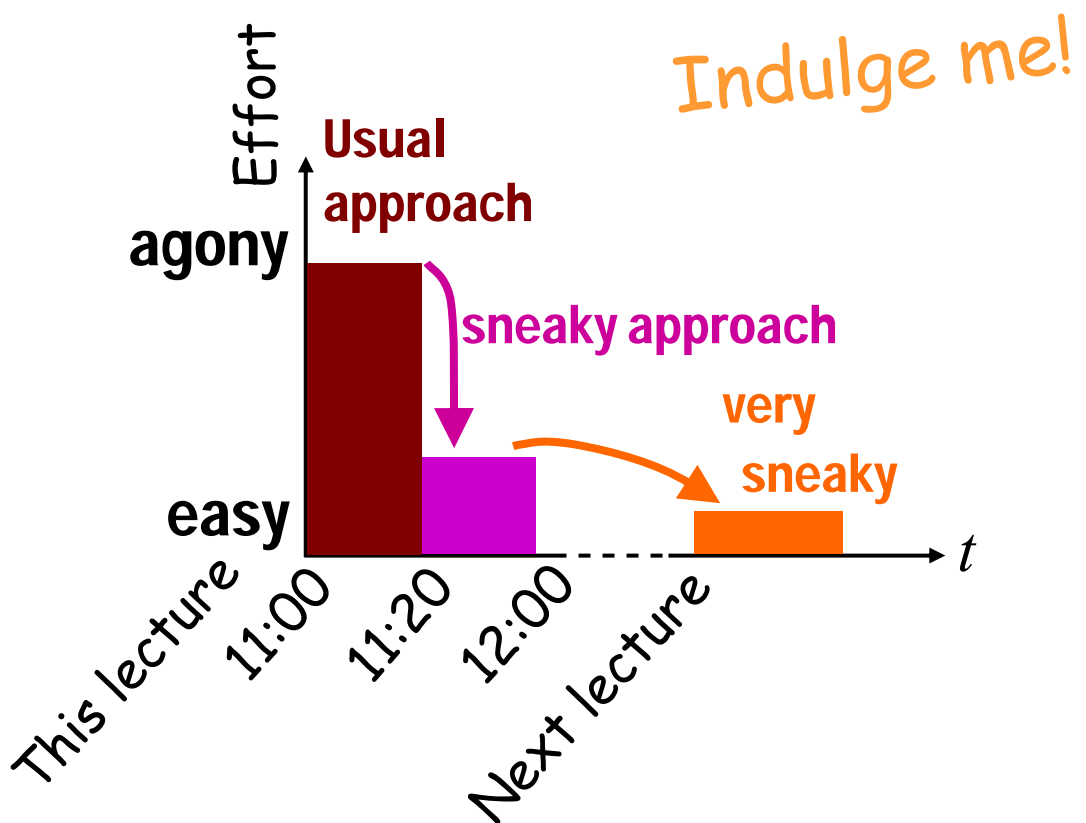


Our Approach

Example:



Determine $v_C(t)$



Let's use the usual approach...

① Set up DE.

② Find v_p .

③ Find v_H .

④ $v_C = v_P + v_H$,

solve for unknowns
using initial conditions

Usual approach...

① Set up DE

$$\begin{aligned}RC \frac{dv_C}{dt} + v_C &= v_I \\ &= V_i \cos \omega t\end{aligned}$$

That was easy!

② Find v_P

$$RC \frac{dv_P}{dt} + v_P = V_i \cos \omega t$$

First try: $v_P = A \rightarrow$ nope

Second try: $v_P = A \cos \omega t \rightarrow$ nope

Third try: $v_P = A \cos(\omega t + \phi)$
amplitude ϕ frequency phase

$$-RCA\omega \sin(\omega t + \phi) + A \cos(\omega t + \phi) = V_i \cos \omega t$$

$$-RCA\omega \sin \omega t \cos \phi - RCA\omega \cos \omega t \sin \phi + A \cos \omega t \cos \phi - A \sin \omega t \sin \phi = V_i \cos \omega t$$

•
• **gasp!**
•

works, but trig nightmare!

Let's get sneaky!

Find particular solution to another input...

$$RC \frac{dv_{PS}}{dt} + v_{PS} = v_{IS} \quad (\text{s: sneaky :-})$$
$$= V_i e^{st}$$

Try solution $v_{PS} = V_p e^{st}$

$$RC \frac{dV_p e^{st}}{dt} + V_p e^{st} = V_i e^{st}$$

$$sRCV_p e^{st} + V_p e^{st} = V_i e^{st}$$

$$(sRC + 1)V_p = V_i$$

Nice
property
of
exponentials

$$V_p = \frac{V_i}{1 + sRC}$$

Thus, $v_{PS} = \frac{V_i}{1 + sRC} \cdot e^{st}$



is particular solution to $V_i e^{st}$

|||ly $\underbrace{\frac{V_i}{1 + j\omega RC}}_{V_p} \cdot e^{j\omega t} \longrightarrow$ solution for $V_i e^{j\omega t}$
where we replace $s = j\omega$

\longrightarrow complex amplitude

② Fourth try to find v_P ..
using the sneaky approach

Fact 1: Finding the response to

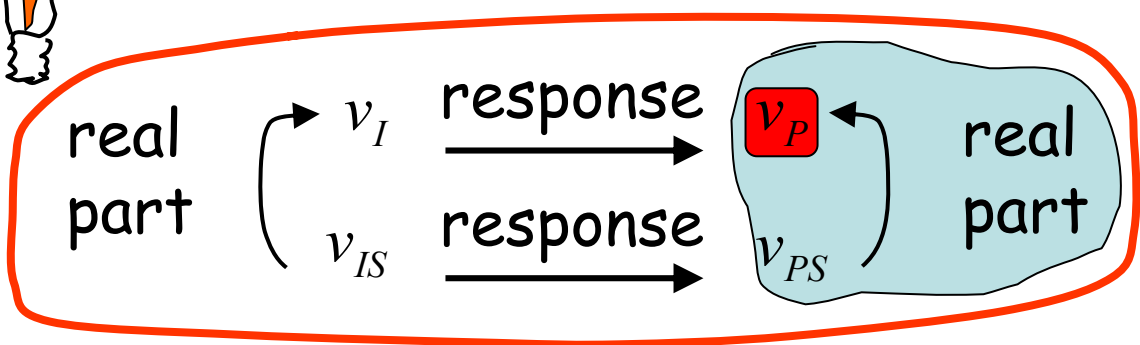
$$V_i e^{j\omega t}$$

was easy.

Fact 2: $v_I = V_i \cos \omega t$
 $= \text{real}[V_i e^{j\omega t}] = \text{real}[v_{IS}]$

from Euler relation,

$$e^{j\omega t} = \cos \omega t + j \sin \omega t$$



an inverse superposition argument,
assuming system is real, linear.

② Fourth try to find v_P ..

so,

complex
↓

$$v_P = \text{Re}[v_{PS}] = \text{Re}[V_p e^{j\omega t}]$$

$$= \text{Re}\left[\frac{V_i}{1 + j\omega RC} \cdot e^{j\omega t}\right]$$

$$= \text{Re}\left[\frac{V_i(1 - j\omega RC)}{1 + \omega^2 R^2 C^2} \cdot e^{j\omega t}\right]$$

$$= \text{Re}\left[\frac{V_i}{\sqrt{1 + \omega^2 R^2 C^2}} \cdot e^{j\phi} e^{j\omega t}\right], \tan \phi = -\omega RC$$

$$= \text{Re}\left[\frac{V_i}{\sqrt{1 + \omega^2 R^2 C^2}} \cdot e^{j(\omega t + \phi)}\right]$$

$$v_P = \frac{V_i}{\sqrt{1 + \omega^2 R^2 C^2}} \cdot \cos(\omega t + \phi)$$

Recall, v_P is particular response to $V_i \cos \omega t$.

③ Find v_H

Recall, $v_H = Ae^{\frac{-t}{RC}}$

④ Find total solution

$$v_C = v_P + v_H$$

$$v_C = \frac{V_i}{\sqrt{1 + \omega^2 R^2 C^2}} \cos(\omega t + \phi) + A e^{-\frac{t}{RC}}$$

where $\phi = \tan^{-1}(-\omega RC)$

Given $v_C(0) = 0$ for $t = 0$

so,

$$A = -\frac{V_i}{\sqrt{1 + \omega^2 R^2 C^2}} \cos(\phi)$$

Done! Phew!

Sinusoidal Steady State

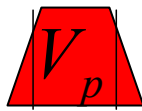
We are usually interested only in the particular solution for sinusoids, i.e. after transients have died.

Notice when $t \rightarrow \infty$, $v_C \rightarrow v_P$ as $e^{-\frac{t}{RC}} \rightarrow 0$

$$v_C = \frac{V_i}{\sqrt{1 + \omega^2 R^2 C^2}} \cos(\omega t + \phi) + A e^{-\frac{t}{RC}}$$

where $\phi = \tan^{-1}(-\omega RC)$

$$A = -\frac{V_i}{\sqrt{1 + \omega^2 R^2 C^2}} \cos(\phi)$$



Described as

SSS: Sinusoidal Steady State

Sinusoidal Steady State

All information about SSS is contained in \hat{V}_p , the complex amplitude!

Recall

$$\hat{V}_p = \frac{V_i}{1 + j\omega RC}$$

Steps (3), (4) were a waste of time!

$$\frac{V_p}{V_i} = \frac{1}{1 + j\omega RC}$$

$$\frac{V_p}{V_i} = \frac{1}{\sqrt{1 + \omega^2 R^2 C^2}} e^{j\phi} \text{ where}$$

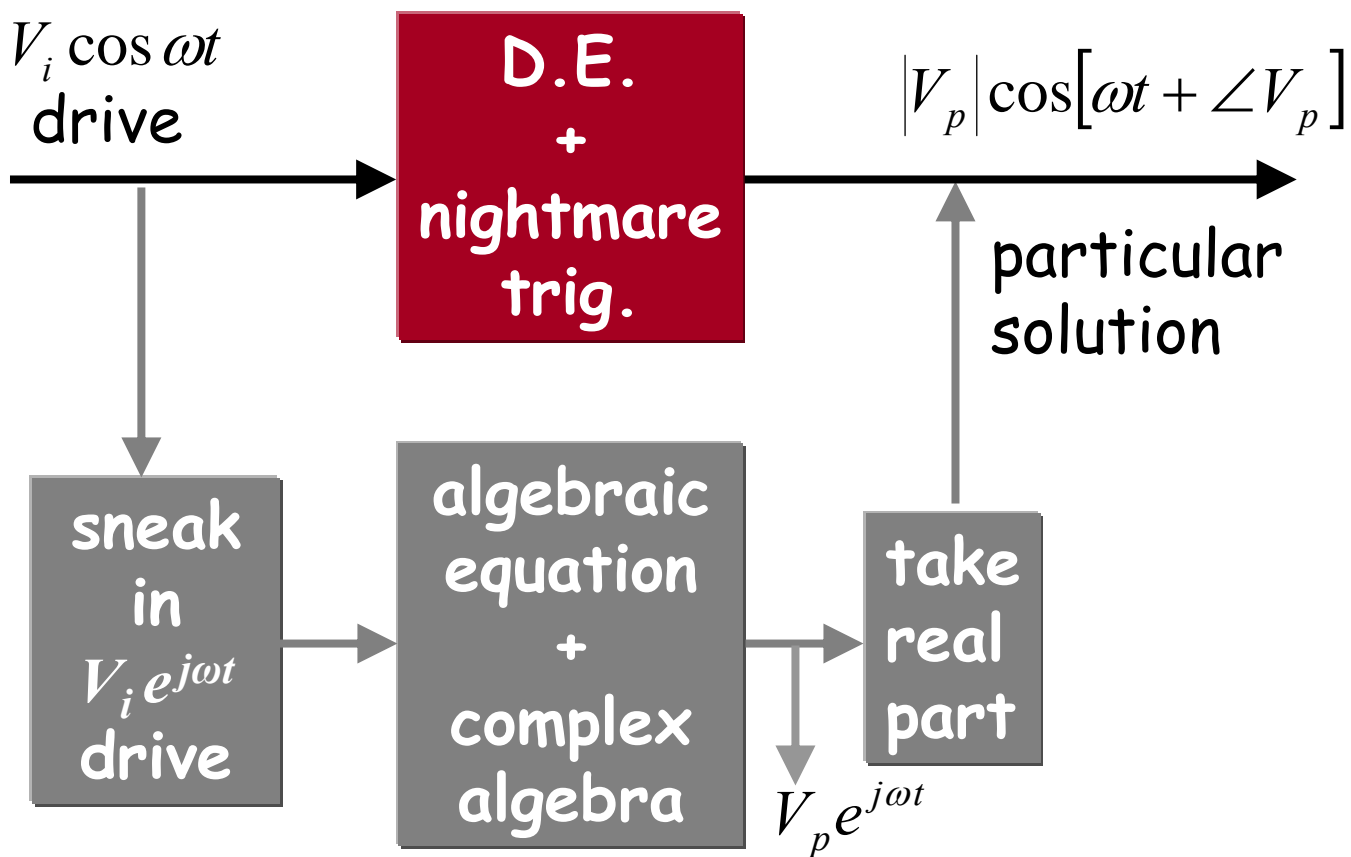
$$\phi = \tan^{-1} -\omega RC$$

magnitude $\left| \frac{V_p}{V_i} \right| = \frac{1}{\sqrt{1 + \omega^2 R^2 C^2}}$

phase ϕ : $\angle \frac{V_p}{V_i} = -\tan^{-1} \omega RC$

Sinusoidal Steady State

Visualizing the process of finding the particular solution V_P

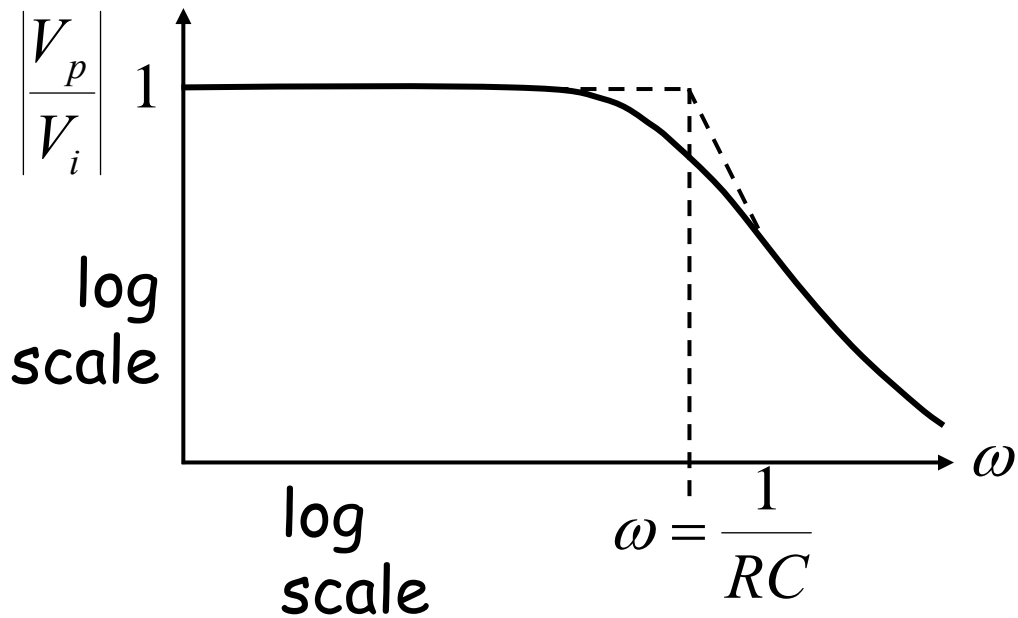


the sneaky path!

Magnitude Plot

transfer function

$$H(j\omega) = \frac{V_p}{V_i} \qquad \left| \frac{V_p}{V_i} \right| = \frac{1}{\sqrt{1 + \omega^2 R^2 C^2}}$$



From demo: explains v_o fall off
for high frequencies!

Phase Plot

$$\phi = \tan^{-1} - \omega RC$$

$$\phi = \angle \frac{V_p}{V_i}$$

