

Code No: 09A40305

R09

JAWAHARLAL NEHRU TECHNOLOGICAL UNIVERSITY, HYDERABAD

B.Tech II Year II Semester Examinations, November / December-2013

MACHINE DRAWING
(Common to ME, MCT, AME)

Time: 3 hours

Max. Marks: 75

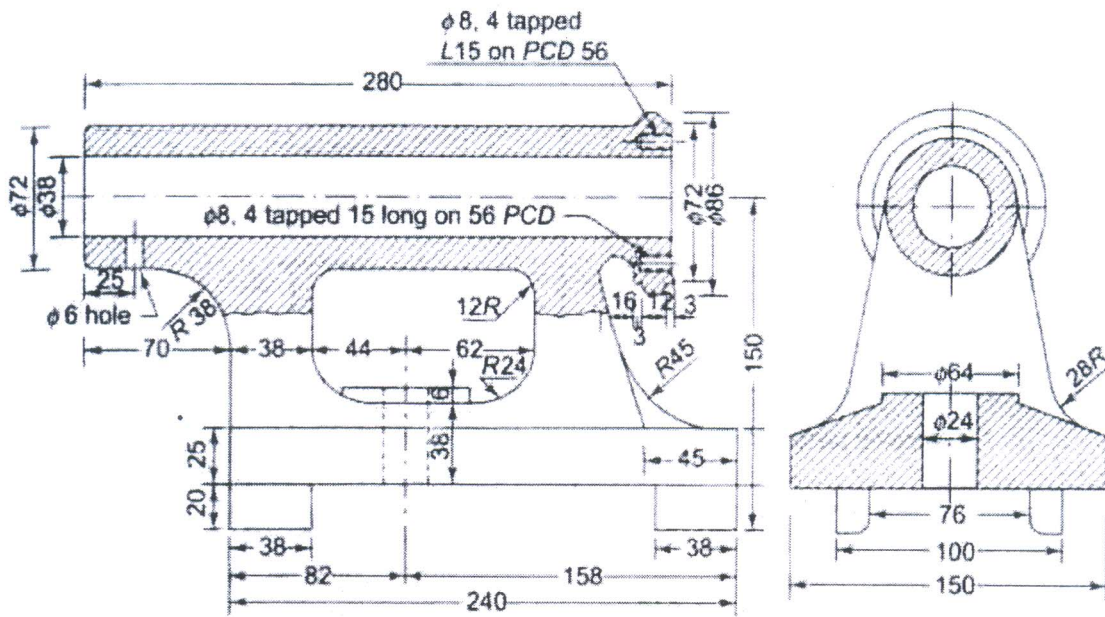
Answer any TWO questions from PART-A
PART-B is Compulsory

PART – A

1. Design and draw the front sectional view and top view of a double riveted (zig zag) lap joint to join plates of 15mm thickness each. [15]
2. Design and draw the sectional front view and top view of knuckle joint to join two pipes of 30mm diameter. [15]
3. Draw the front, top and right side view of a hexagonal-headed bolt with 25mm diameter. [15]

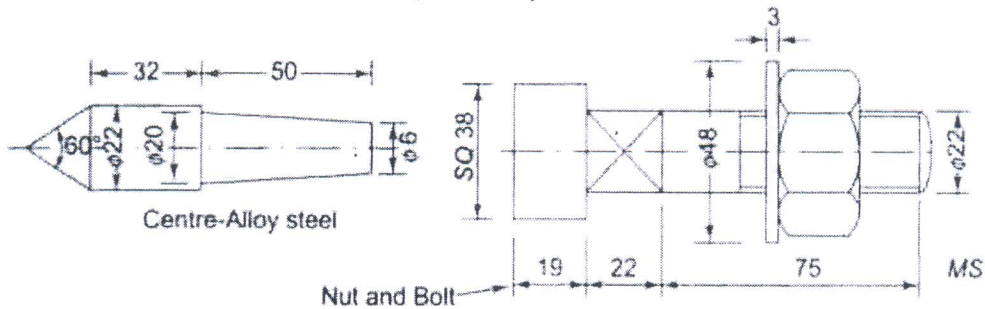
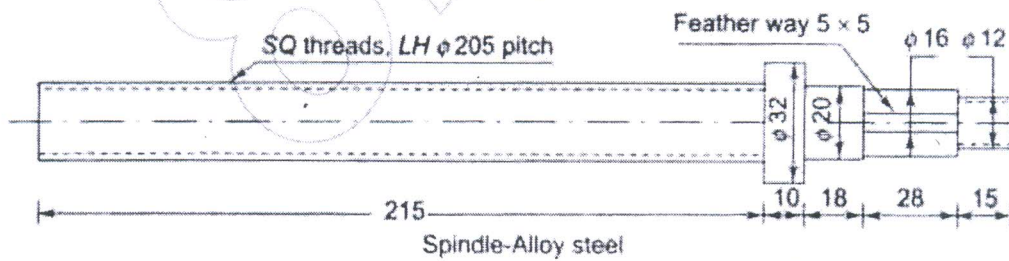
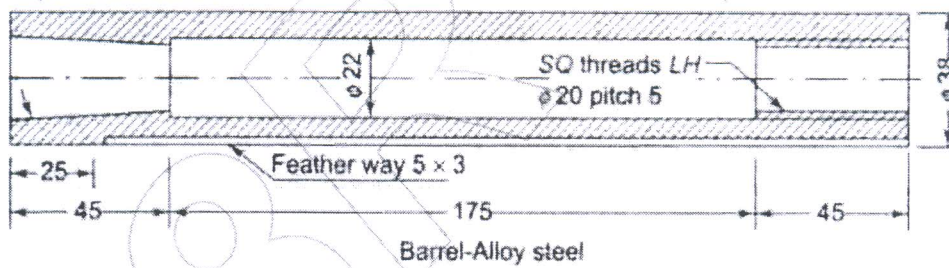
PART – B

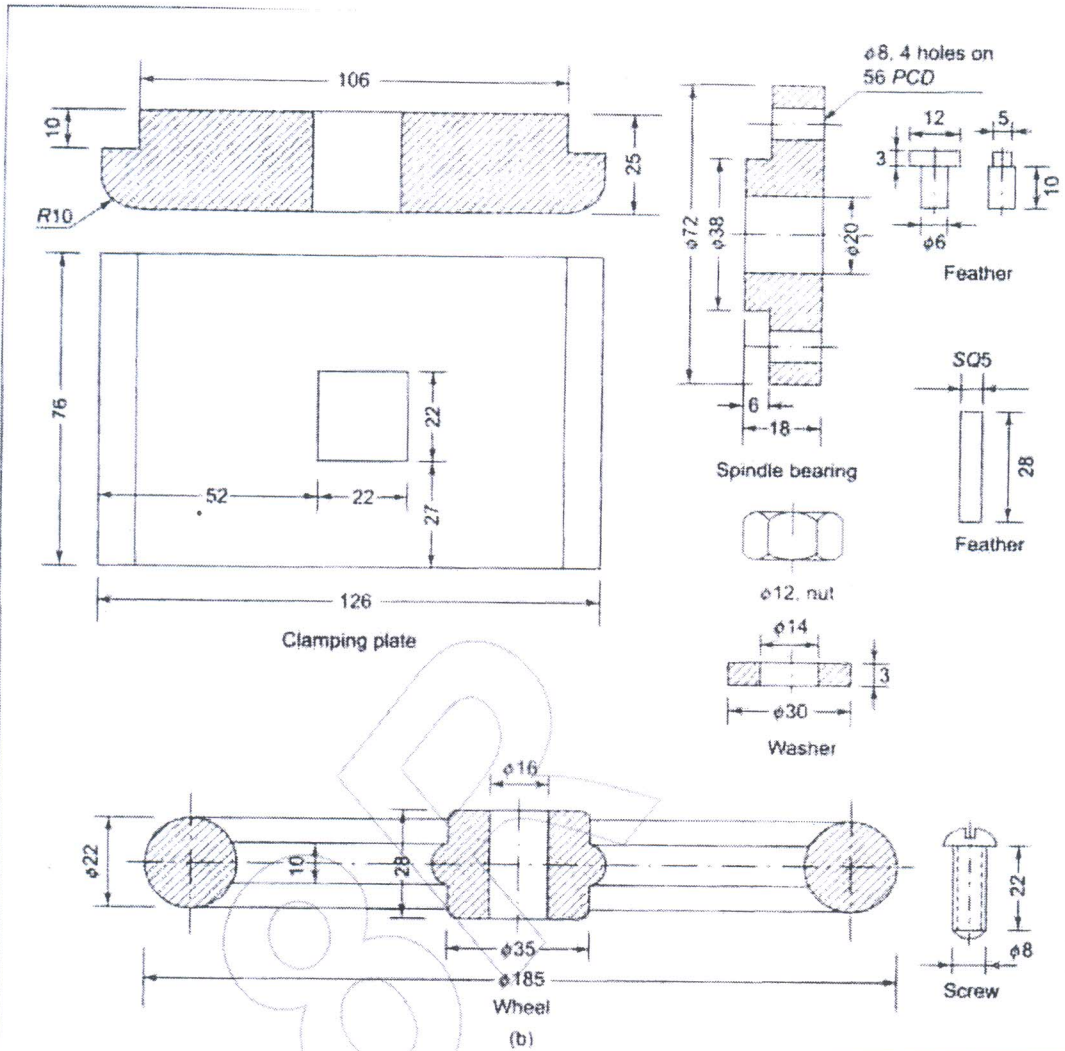
4. Assemble the parts given and draw the full sectional front view and top view of the assembly. [45]



Body-CS

Taper to suit centre





Bill of Material

S.No	Part	Quantity	Material
1	Talstock body	1	Cast Steel
2	Barrel	1	Alloy Steel
3	Spindle	1	Alloy Steel
4	Center	1	Alloy Steel
5	Nut, Bolt assembly	1set	Mild Steel
6	Clamping Plate	1	Cast Steel
7	Spindle bearing	1	Non-Ferrous
8	Feather	1set	Non-Ferrous
9	Nut Φ 12	1	Alloy Steel
10	Washer Φ 30 x Φ 14 x 3	1	Alloy Steel
11	Hand Wheel	1	Cast Iron
12	Screw	4	Mild Steel